

VERANDA HRV08-ZIP

1. WARNINGS

Installation of Veranda HRV08-ZIP must be carried out by qualified personnel in compliance with EN a local safety regulations relative to domestic electrical systems.

Before you start, please do read these instructions thoroughly.

The tightening of springs creates important powers. Be very careful and make sure of a solid footing whilst operating.

Provide sufficient light in the fitting area. Dispose of obstacles and dirt. Make sure that, except for the fitters, no other people are in the fitting area. Unauthorized people might be in the way or at risk themselves.



This symbol indicates the possibility of injury to persons or damage to the product.



This symbol means „Warning“.



This symbol means to use force during the shown operation.

Using electric screwdrivers set the correct torque value.



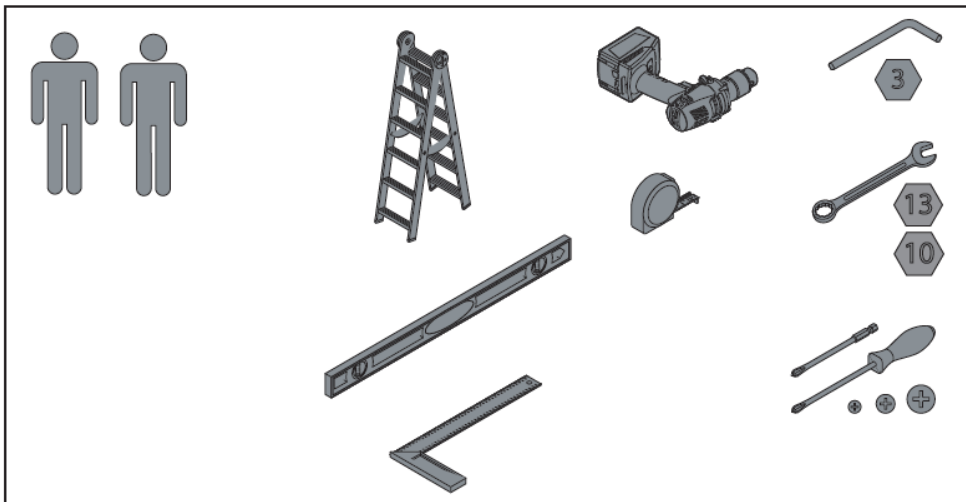
This symbol means the need of a visual control.



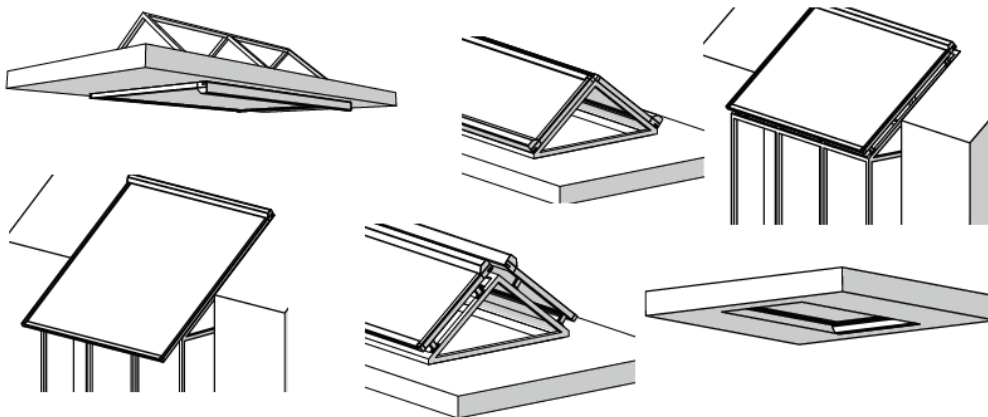
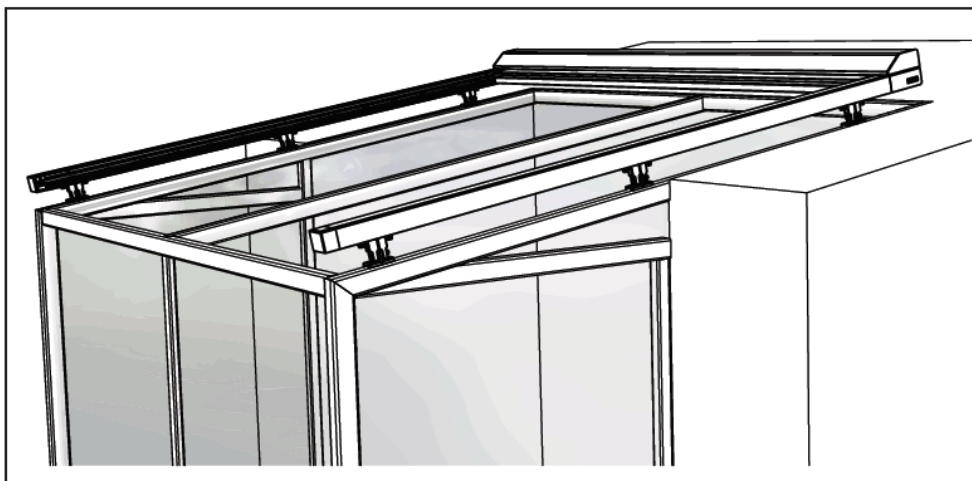
This symbol indicate a particular which is given as optional.

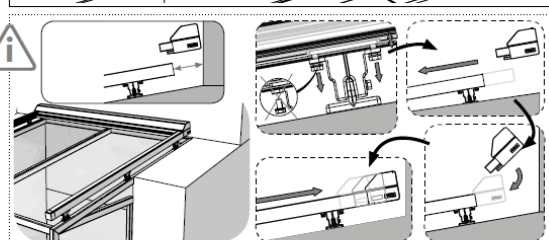
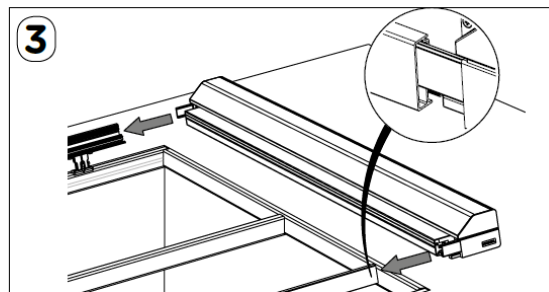
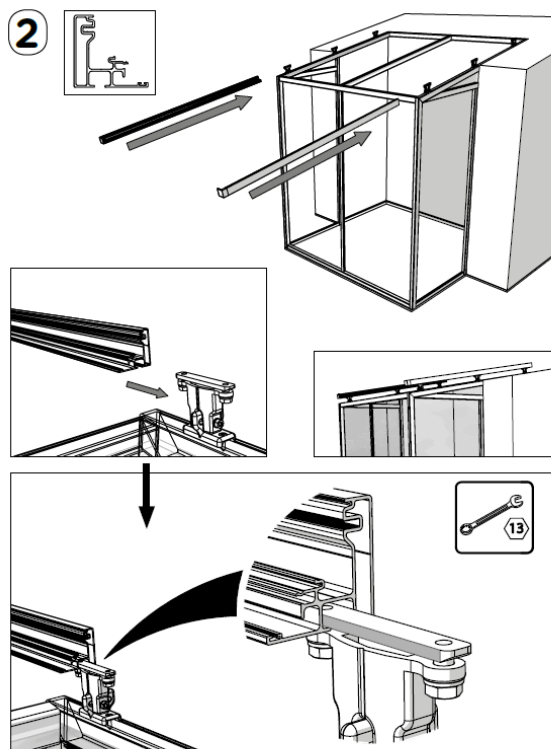
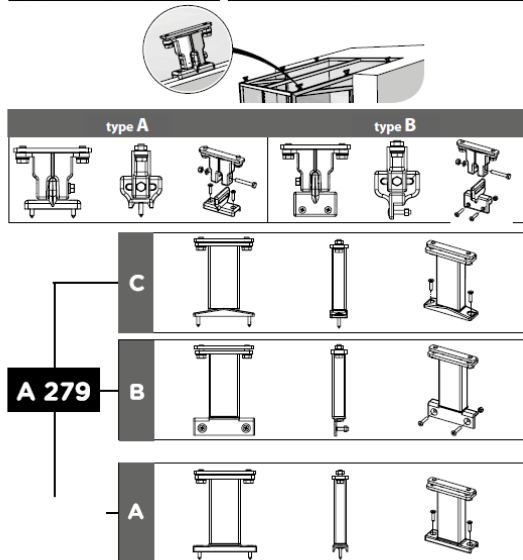
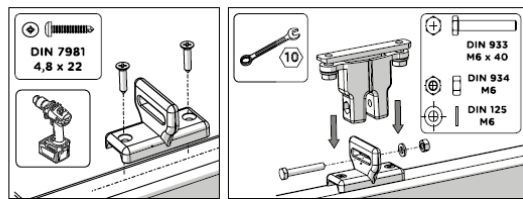
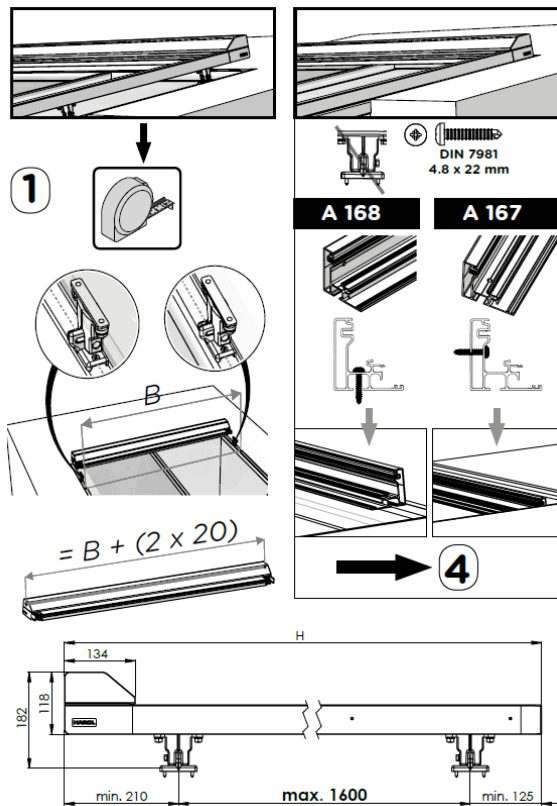
The manufacturer accepts no liability for any inaccuracies or printing errors that may be contained in this manual. The manufacturer reserves the right to introduce any modifications to the product that are considered necessary or in the interests of the user and which do not alter the essential operational and safety characteristics of the appliance. No modification of the design or configuration without consulting the manufacturer. The instruction of use shall be provided to the end user.

2. LIST OF REQUIREMENTS

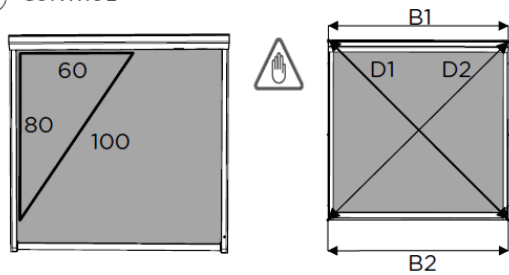


3. ASSEMBLY

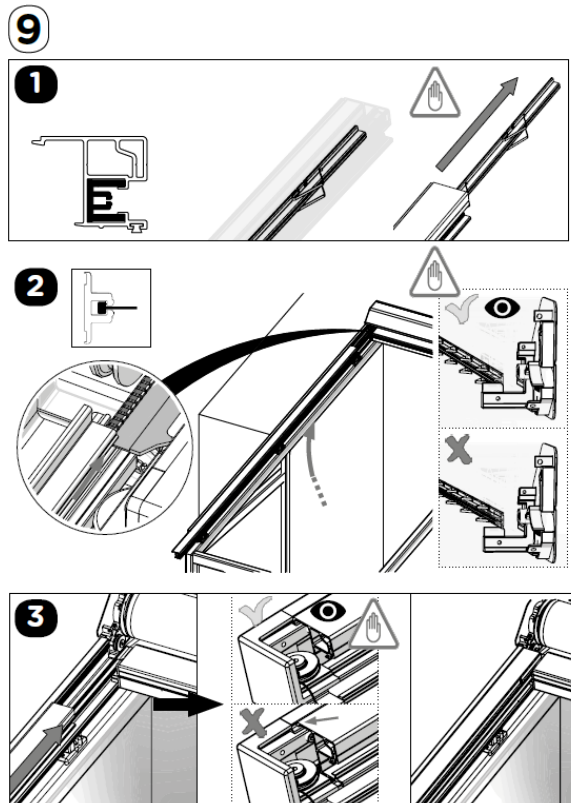
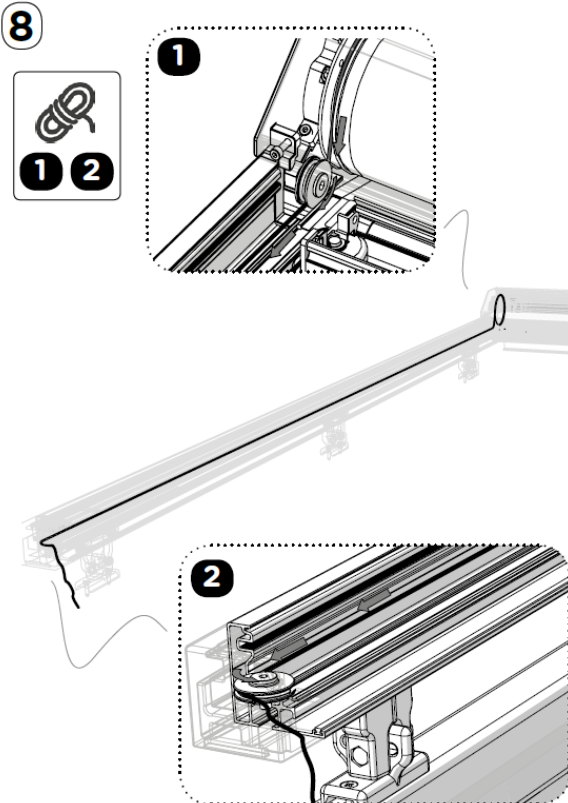
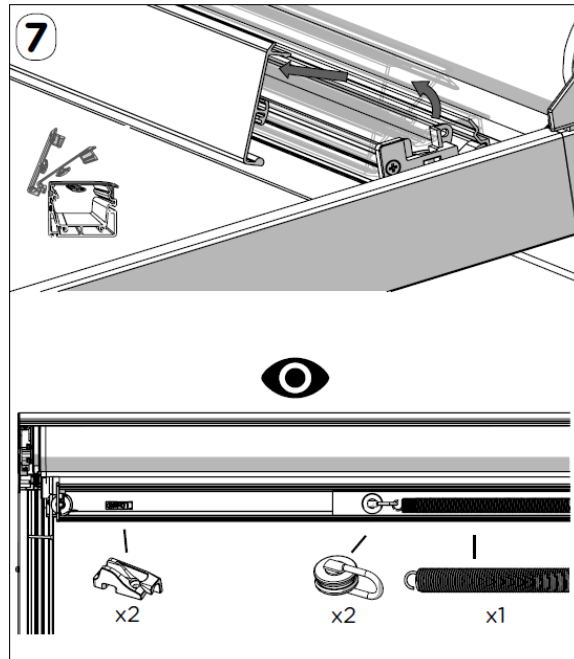
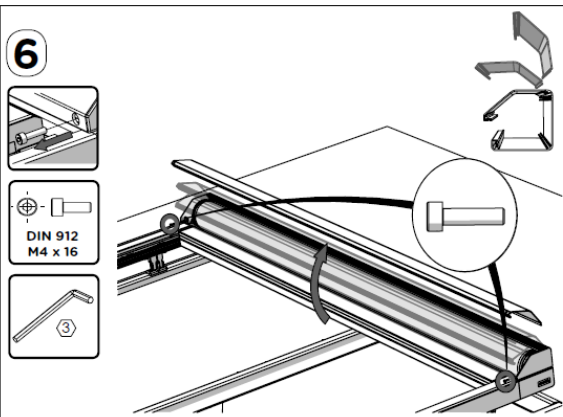


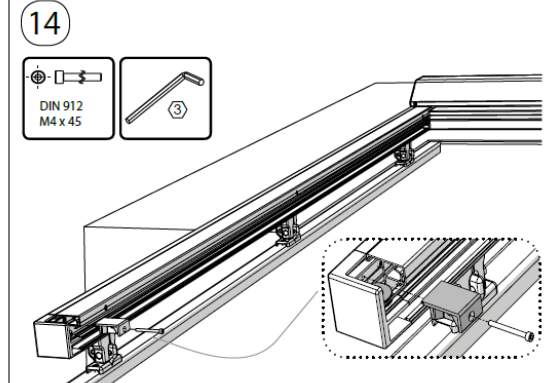
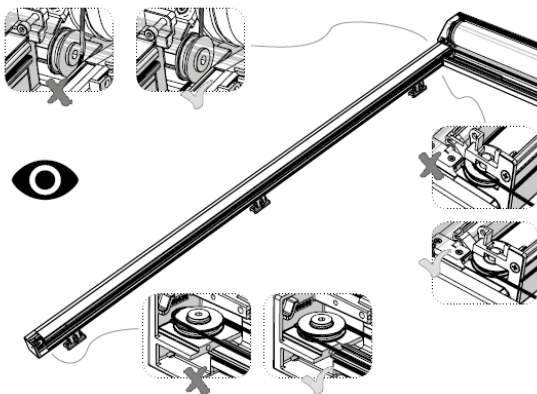
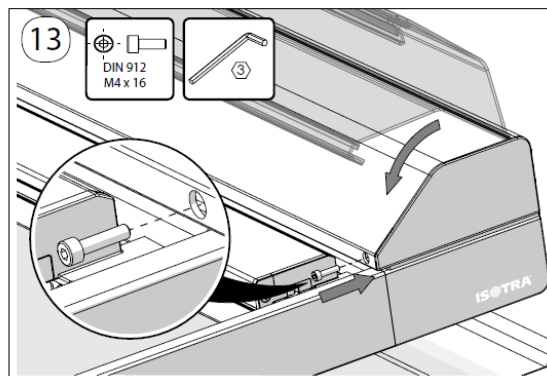
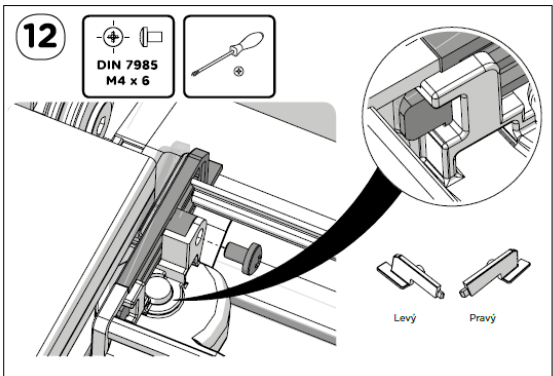
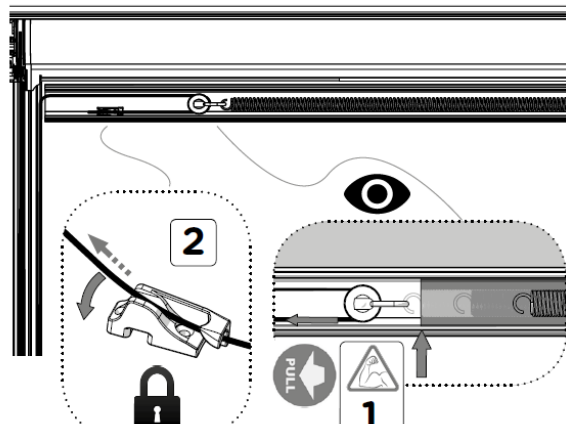
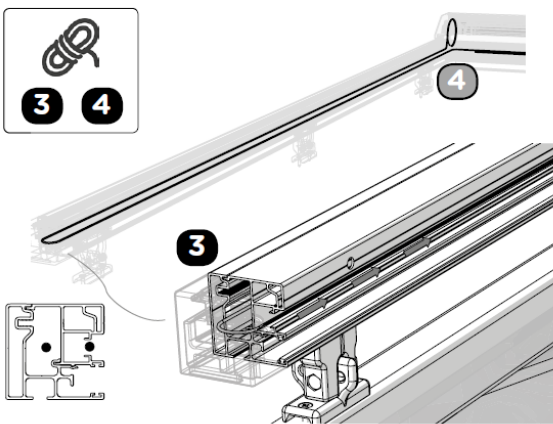
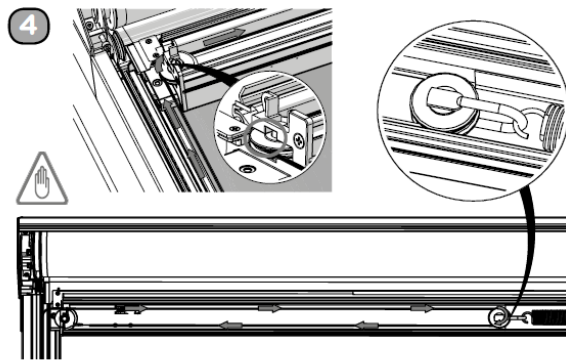
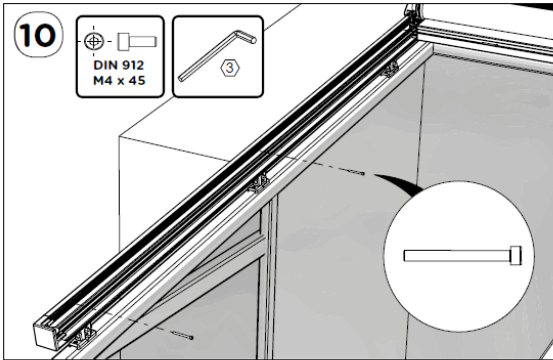


5 CONTROL



B1 = B2 & D1 = D2
(+/- 2mm) (+/- 2mm)





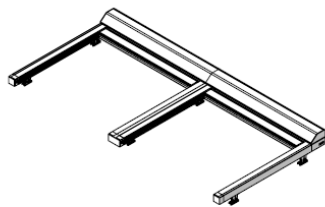
somfy.com
www.somfy.com

see instruction manual Somfy

OREA 50 WT 25/17
OREA 50 WT 40/17
Gemini 25/17 SLT50
Mariner 40/17 SLT50
Orea 25/17 LT50 RTS
Orea 40/17 LT50 RTS
Sunea 50 IO 25/17
Sunea 50 IO 40/17

15

x1



< 6m

> 6m

1 see page 32

2+ see page 34

0+ extra assembly steps

16

17

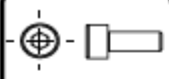
< 6m

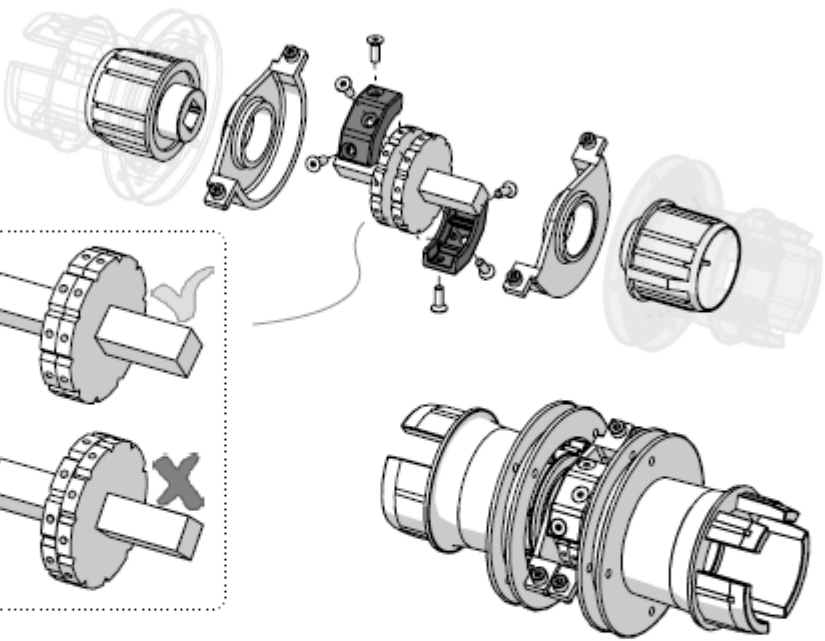
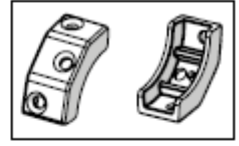
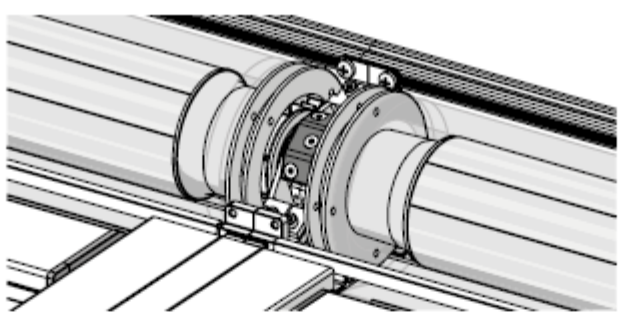
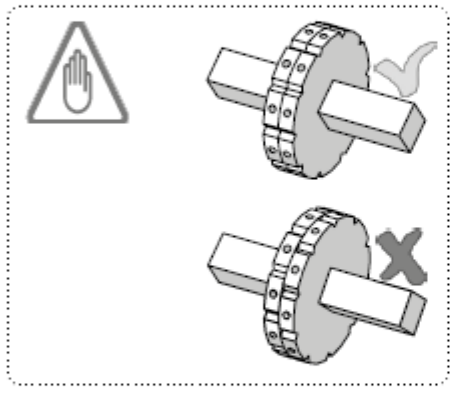
> 6m


3+ see page 35

4 5

6⁺
see page 36


DIN 912
M4 x 12
x6




DIN 912
M4 x 12
x6

